

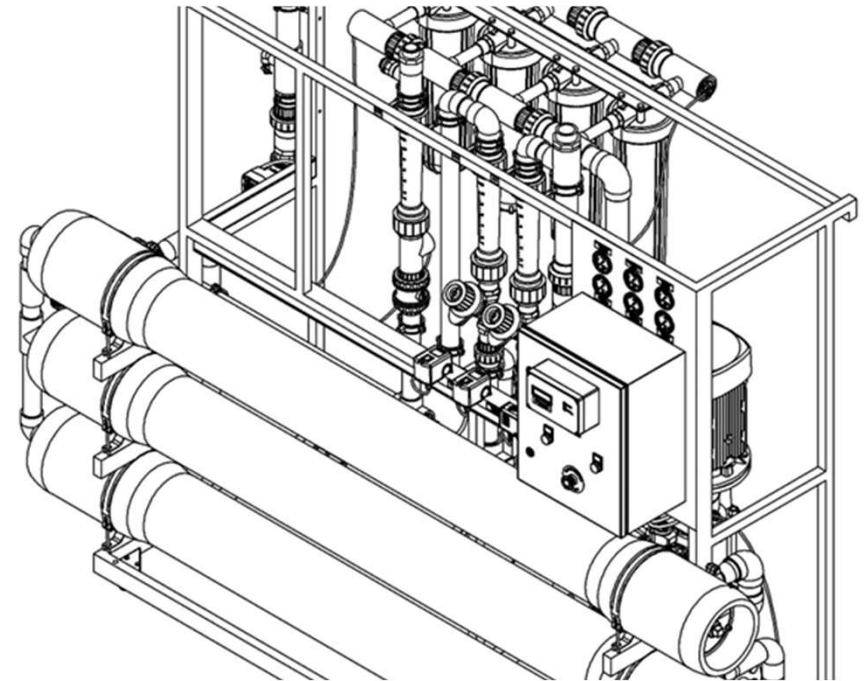
Welcome to Port of Longyearbyen 2026



Longyearbyen 28.04.2026

What`s new for this season?

-New purpose-built mooring boat «Magni»



-Freshwater purification system for the Tourist pier

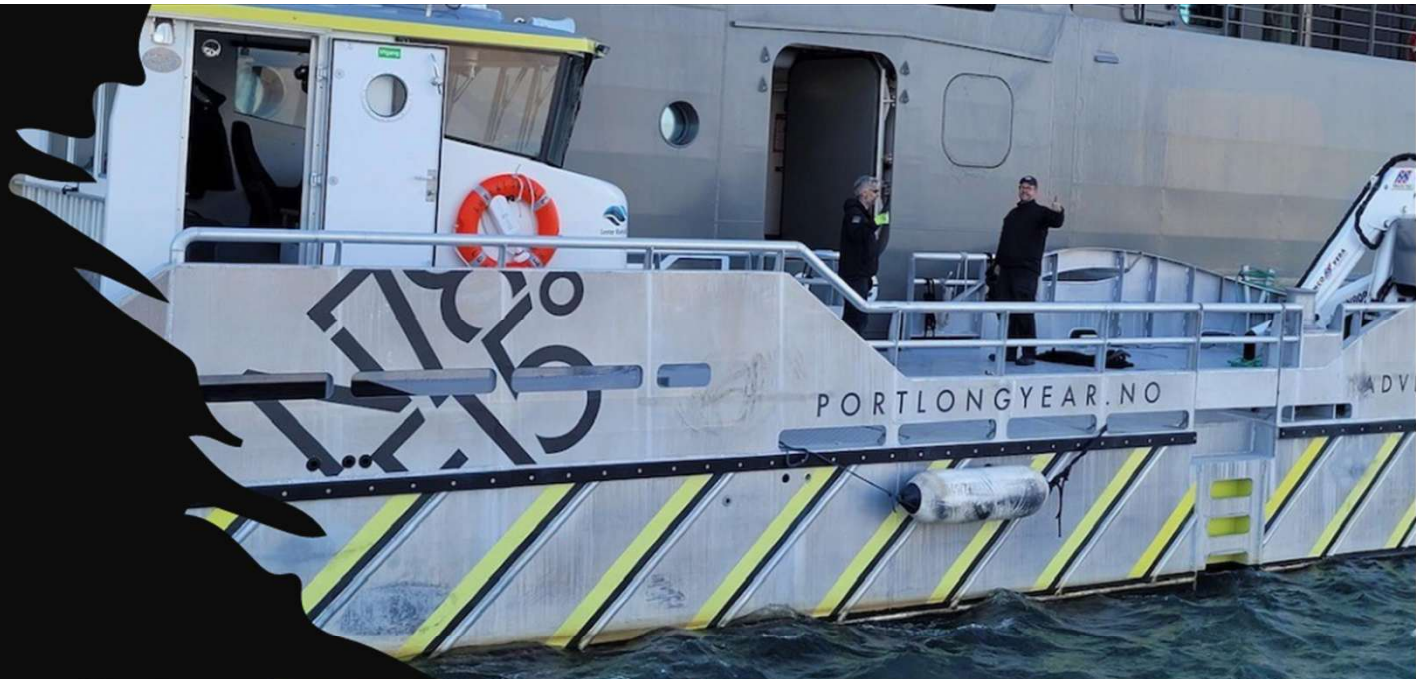
Tender pier guidelines updated

- Guidelines will be sent out to all concerning parties.
- On the busy days, (4 or more ships on anchor) a coordinator will be in place at the tender pier.
- The general rule is to only approach the tender pier when the coordinator calls you in.



ADVENT SUPPLIER

Supply service for ships at anchor



The port provide two crew members for vessel operations

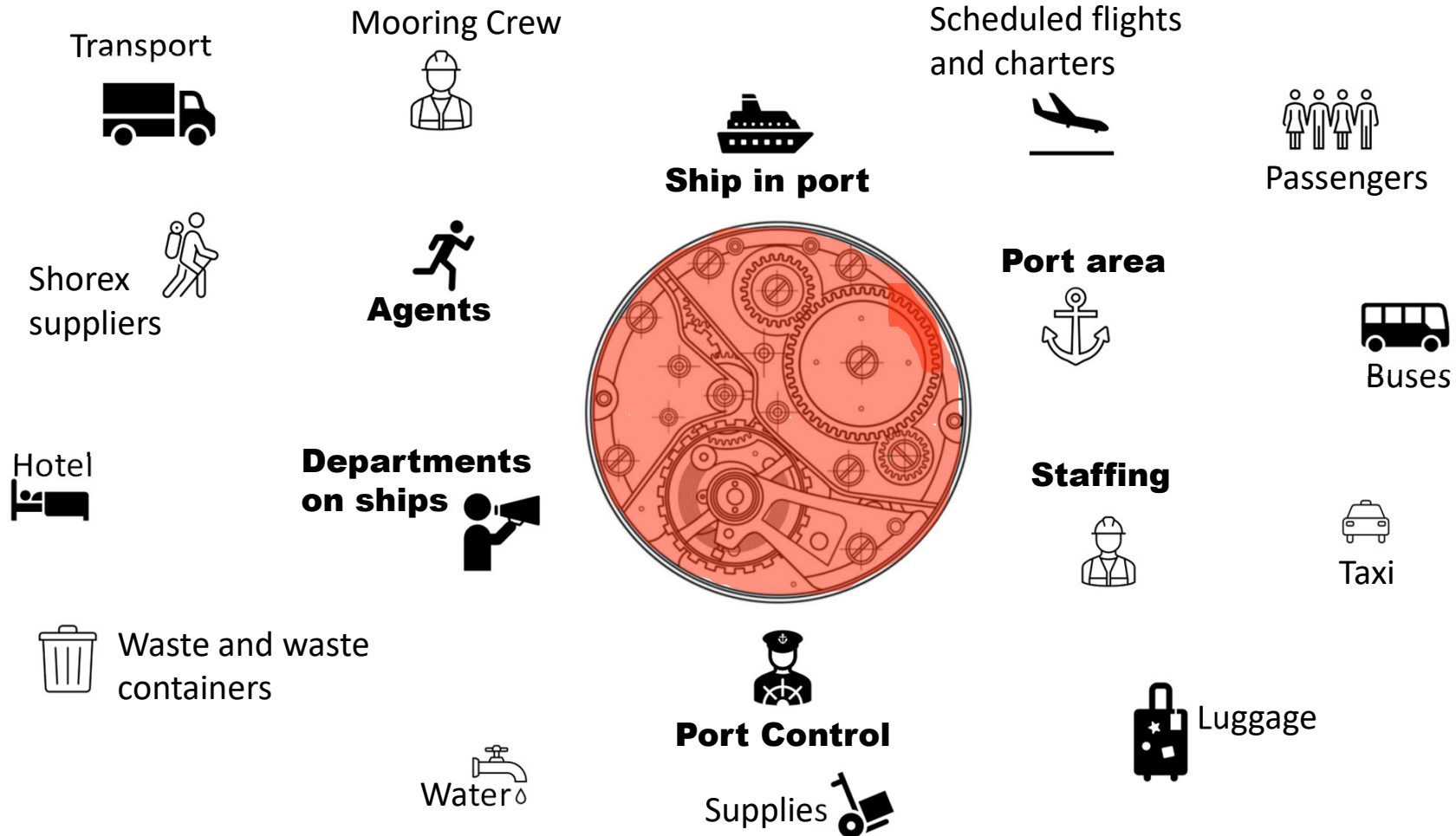
Handling of luggage, provisions, and waste must be arranged by the charterer

Send request for Advent Supplier early



Swiss timepiece

«*timing*»



Welcome to the Port of Longyearbyen

[Read more about our port](#) →

Information you need about the port and
bookings you will find at our homepage:

www.portlongyear.no

DEPARTURE REPORT

Please send the report to bykaia@lokalstyre.no straight after departure.

NAME OF SHIP	PIER NAME
TIME AND DATE OF ARRIVAL	
TIME AND DATE OF DEPARTURE	

VERSION 01 - 2022/2023

PASSENGERS					
DISEMBARKED, AMOUNT AND WHERE					
NO. PAX	<input type="checkbox"/> BYKAIA	<input type="checkbox"/> TOURIST PIER	<input type="checkbox"/> COAL PIER	<input type="checkbox"/> GAMLEKAJA	<input type="checkbox"/> ANCHOR
EMBARKED, AMOUNT AND WHERE					
NO. PAX	<input type="checkbox"/> BYKAIA	<input type="checkbox"/> TOURIST PIER	<input type="checkbox"/> COAL PIER	<input type="checkbox"/> GAMLEKAJA	<input type="checkbox"/> ANCHOR

FRESHWATER	NUMBER OF TENDER CALLS TO THE FLOATING PIER
AMOUNT M ³	TOTAL NO. CALLS
ELECTRICITY START NO. STOP NO.	
START NO	STOP NO

WASTE – NO WET WASTE ALLOWED	
If you have booked a container alongside the vessel via the port agent, please do not fill in the information below.	
GENERAL DRY WASTE (PAPER, PLASTICS, CANS, ALUMINIUM, GLASS) M ³	OTHER METALS KILOGRAMS
SPECIAL WASTE (BLUE SPECIAL WASTE CONTAINER)	
BATTERIES, TYPE KILOGRAMS	PAINT LITRES
OILS, TYPE LITRES	OILY RAGS KILOGRAMS
PALLETES	

CONTACT INFORMATION

Phone (24-hour service): +47 911 22 300
VHF: Channel 12 (16)
E-mail: bykaia@lokalstyre.no

LONGYEARBYEN HAVN
Postboks 350, 9171 Longyearbyen, Norge
www.portlongyear.no

DEPARTURE REPORT

Remember

MUST be sent to the port upon departure



We wish you all a successful summer season

